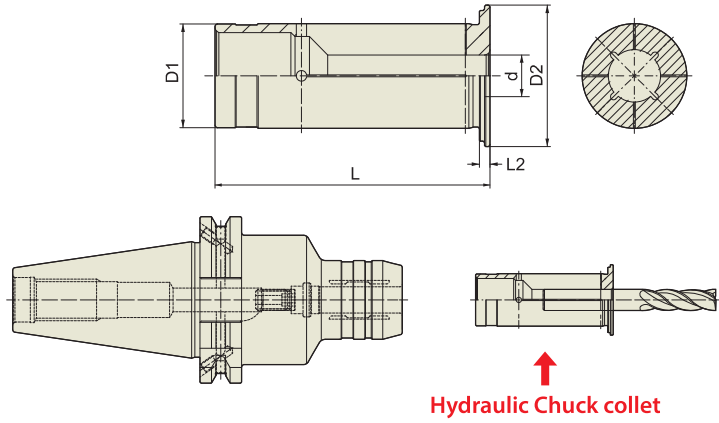


**HYDRAULIC CHUCK COLLET (Reduction Sleeve : Coolant Flush Type)**

HYDRAULIK SPANNFUTTER SPANNZANGE  
 MANDRIN HYDRAULIQUE PINCE DE SERRAGE  
 MANDRINI IDRAULICI PINZA DI SERRAGGIO  
 PORTAHERRAMIENTAS HIDRAULICO PINZA PORTAPIEZAS



							Unit : mm	
MODEL No.	EDP No.	d	D1	D2	L	L2		
HF12	3	P2771201	3	12	19	47	2	
	4	P2771202	4	12	19	47	2	
	5	P2771203	5	12	19	47	2	
	6	P2771204	6	12	19	47	2	
	7	P2771205	7	12	19	47	2	
	8	P2771206	8	12	19	47	2	
HF20	3	P2771207	3	20	27	52.5	2	
	4	P2771208	4	20	27	52.5	2	
	5	P2771209	5	20	27	52.5	2	
	6	P2771210	6	20	27	52.5	2	
	7	P2771211	7	20	27	52.5	2	
	8	P2771212	8	20	27	52.5	2	
	9	P2771213	9	20	27	52.5	2	
	10	P2771214	10	20	27	52.5	2	
	11	P2771215	11	20	27	52.5	2	
	12	P2771216	12	20	27	52.5	2	
HF32	13	P2771217	13	20	27	52.5	2	
	14	P2771218	14	20	27	52.5	2	
	15	P2771219	15	20	27	52.5	2	
	16	P2771220	16	20	27	52.5	2	
	6	P2771221	6	32	39	63.5	3	
	8	P2771222	8	32	39	63.5	3	
	10	P2771223	10	32	39	63.5	3	
	12	P2771224	12	32	39	63.5	3	
	14	P2771225	14	32	39	63.5	3	
	16	P2771226	16	32	39	63.5	3	
18	P2771227	18	32	39	63.5	3		
20	P2771228	20	32	39	63.5	3		
25	P2771229	25	32	39	63.5	3		

- ▶ Inch type products are available.
- ▶ Other special sizes of Hydraulic Chuck collets could be produced and supplied.

**Feature**

HF Hydraulic Chuck collet (reduction sleeve) is for internal coolant flush.

**Chucking Method**

Please assemble cutting tool with collet firstly, and then insert collet into Hydraulic Chuck.